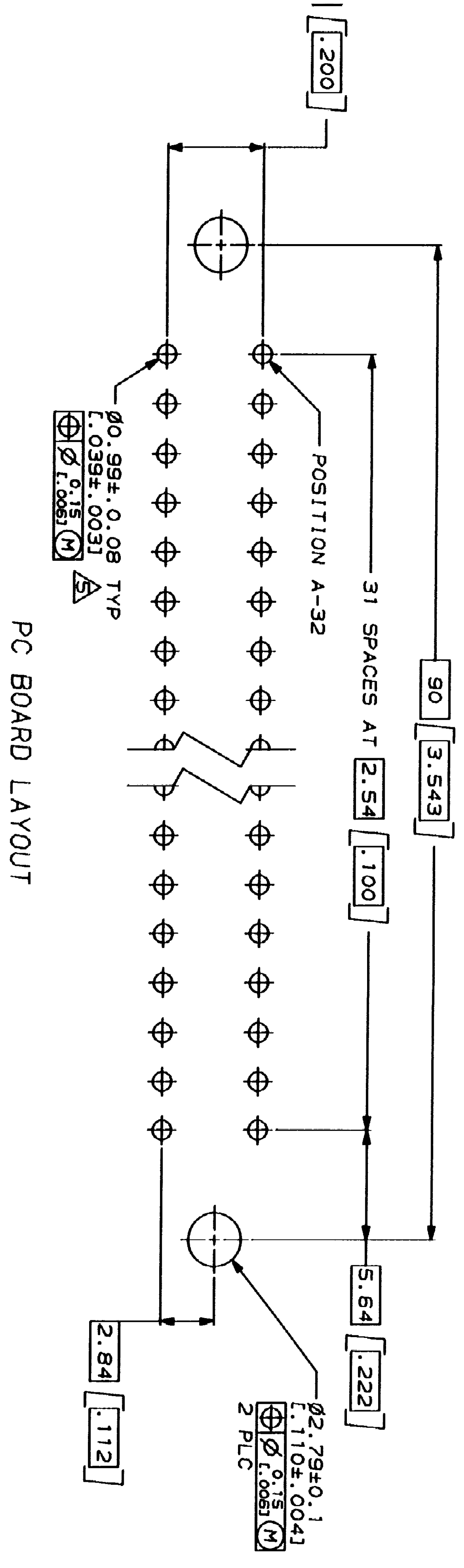
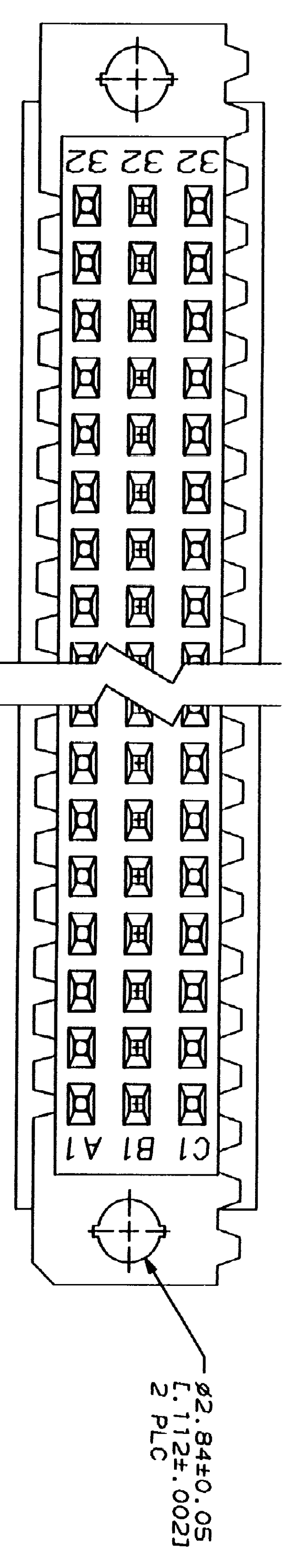
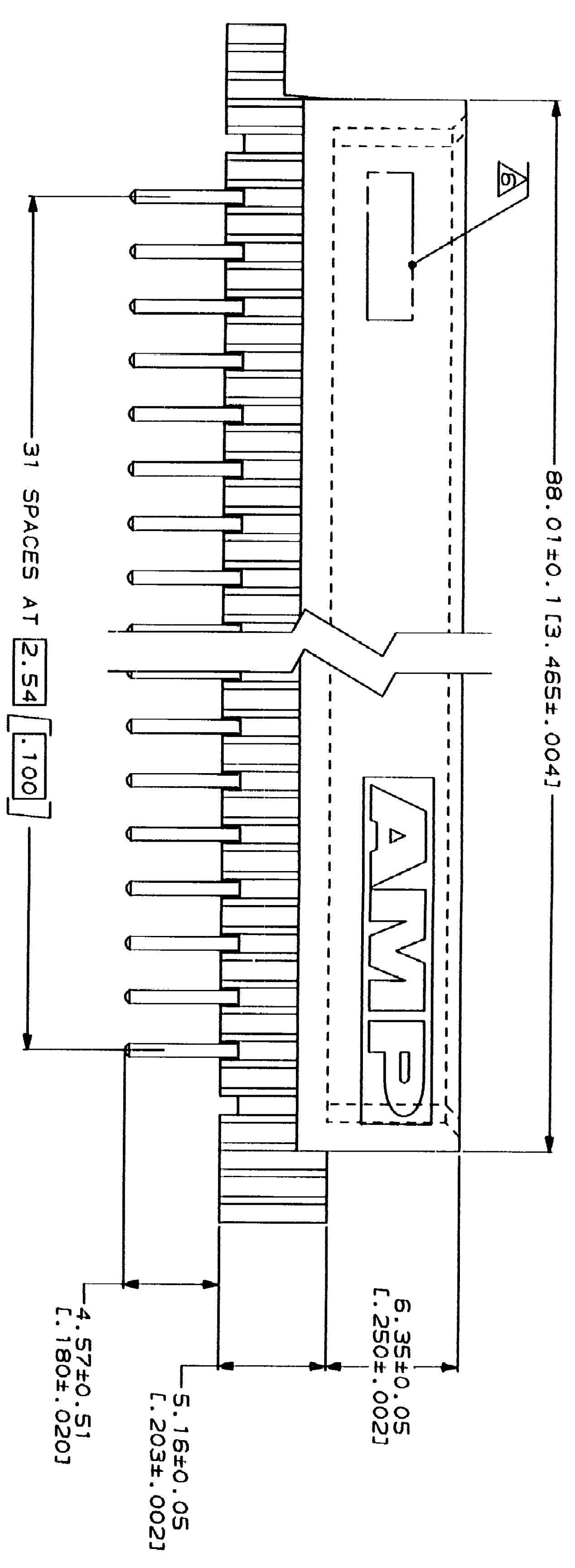
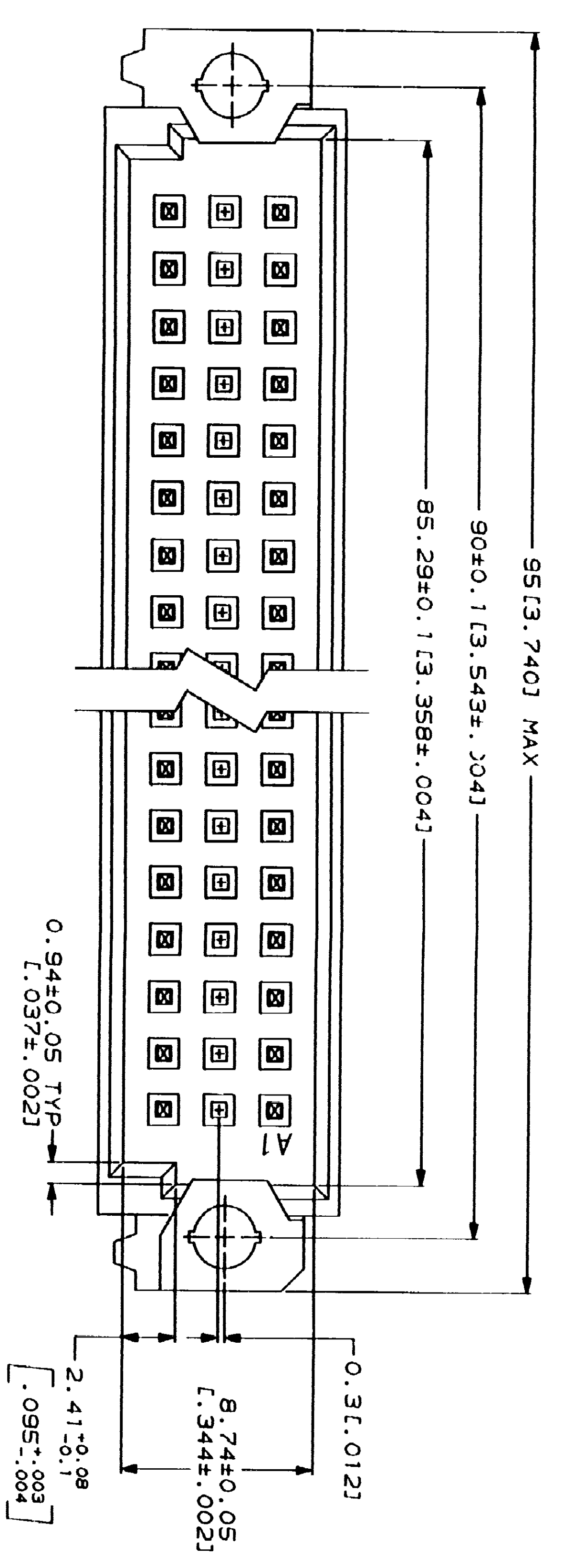


DATE	APPD
11/14/91	LSB
12/26/91	LSB
6/2/92	LSB
11/26/93	LSB
3/26/94	LSB

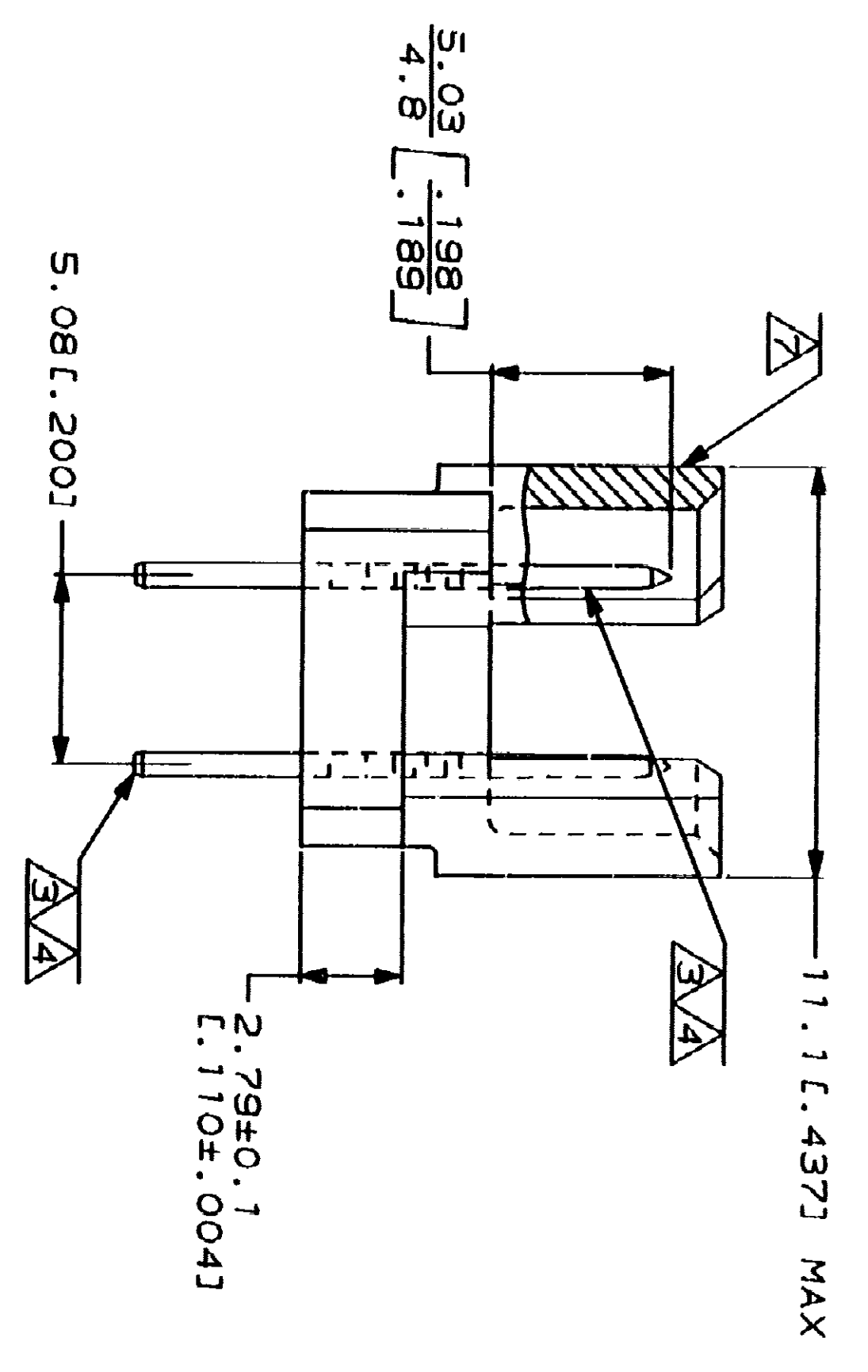


REV	DATE	BY	CHK	DESCRIPTION
AD	25			

REV	DATE	BY	CHK	DESCRIPTION
0				DRAWN
B				ECN A055961 A05640
C				ECN A05876
D				ECN A05871
E				ECN A06256
F				EC 0010-1559-93
G				EC 0010-0438-94

- △ HOUSING MATERIAL: GLASS-FILLED POLYESTER. COLOR: GRAY
- △ POST MATERIAL: BRASS.
- △ POST FINISH: DIN 41612 CLASS 3 IN CONTACT AREA.
- △ TIN-LEAD PLATE ON POSTS.
- △ POST FINISH: DIN 41612 CLASS 2 IN CONTACT AREA.
- △ TIN-LEAD PLATE ON POSTS.
- △ RECOMMENDED HOLE SIZE FOR MANUAL APPLICATION OF CONNECTOR ONTO PC BOARD.
- △ [PART NUMBER] [DATE CODE] MARKED THIS APPROXIMATE AREA.
- △ MARKING ON THIS SIDE.



SUPERSEDED BY 550934-5

REV	DATE	BY	CHK	DESCRIPTION
A	1-32			
	1-32			

NOTES	POSITIONS LOADED	ROWS LOADED	NO. OF LOADED POSITIONS	ASSY
	C	B	A	

DR	DATE	CHK	DATE	NAME
L. BRINER	3/18/91			
D.C. RUBENDALL	3/26/91			
D.C. RUBENDALL	3/26/91			
K.R. PARMER	3/26/91			

FINISH	APPLICATOR	SCALE	SIZE	CAGE CODE	DRAWING NO
POST: A			D	00779	6501

AMP P/N ASSEMBLY, EURO TYPE "R"  
 AMP INCORPORATED  
 HARRISBURG, PA

CUSTOMER